



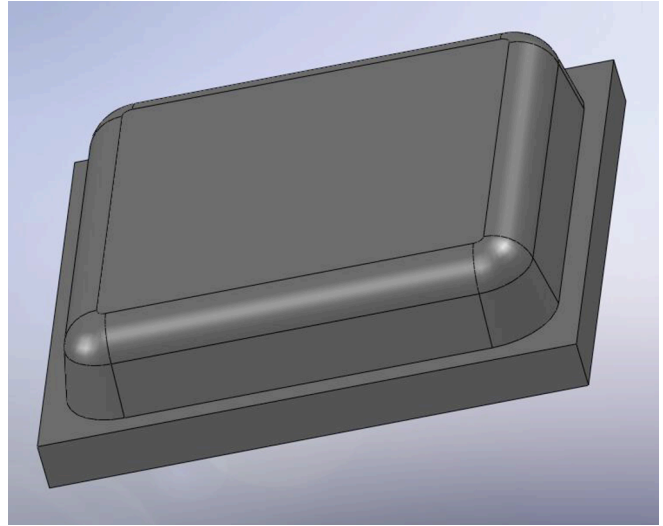
777 Annoreno Drive
 Addison, IL 60101
 PH 630-628-0777
 FAX 630-628-0780

Urethane Bumper Specifications

Style U-7
 Part Number WE4007-00-5075 Clear Rubber Adhesive Tape

Type	Square	Size*	0.400 Sq	0.100 High
-------------	--------	--------------	----------	------------

Parts per Row	7
Rows per Sheet	15
Sheet Quantity	105
Sheets per Box	96
Box Quantity	10080
Box Weight (lb)*	6.40
Box Size (in)*	13x7x4.5



Color	Code
White	5071
Black	5079
Grey	5073
Brown	5074
Clear	5075
Specifications are applicable to all colors	

Hardness 55-65 Shore A

Performance data provided by our tape suppliers as follows:

Peel Adhesion/5 min. Dwell/12" min. 70 oz/in
Static Shear 72°F
 4.4 psi 1/2 in x 1/2 in - 500g Min to Failure 240 min

Shelf Life One year from date of manufacture listed on carton if stored under recommended storage conditions.

Recommended Storage Temperature - 40°F to 75°F
 Relative Humidity - 40% to 60%

RoHS Statement

Based on information provided by our raw material suppliers, no RoHS banned substances are present in this product or similar products with any of the 4-digit color codes noted above, in excess of the proposed maximum concentration values (0.1% by weight in homogeneous materials for all RoHS substances except Cadmium, 0.01% by weight in homogeneous materials for Cadmium).

Dimension Molding Corp.

Manufactured in Addison, IL, USA

*Dimensions and weights are for reference only.