



777 Annoreno Drive
 Addison, IL 60101
 PH 630-628-0777
 FAX 630-628-0780

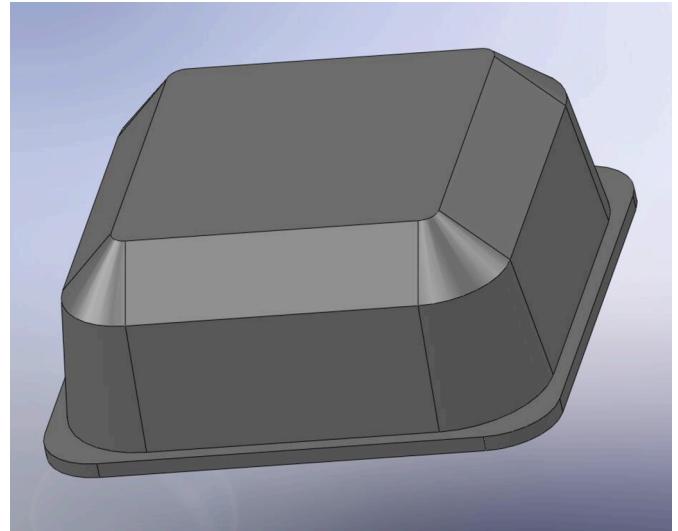
PVC Bumper Specifications

Style P-3

Part Number WE5003-01-00-5002 Black Acrylic Adhesive Tape

Type	Square	Size*	0.500 Sq	0.200 High
-------------	--------	--------------	----------	------------

Parts per Row	5
Rows per Sheet	20
Sheet Quantity	100
Sheets per Box	50
Box Quantity	5000
Box Weight (lb)*	9.70
Box Size (in)*	13x7x6.5



Color	Code
White	5001
Black	5002
Grey	5003
Brown	5007
Natural†	5005
Specifications are applicable to all colors	

Hardness 55-65 Shore A

Performance data provided by our tape suppliers as follows:

Peel Adhesion/5 min. Dwell/12" min. 34 oz/in
Static Shear 72°F
 8.8 psi 1/2 in x 1/2 in - 1000g Min to Failure 1440 min

Shelf Life One year from date of manufacture listed on carton if stored under recommended storage conditions.

Recommended Storage Temperature - 40°F to 75°F
 Relative Humidity - 40% to 60%

† Due to the nature of the raw polymer, the color of natural material varies from lot-to-lot. A natural color may not be the best choice for highly cosmetic applications

RoHS Statement

Based on information provided by our raw material suppliers, no RoHS banned substances are present in this product or similar products with any of the 4-digit color codes noted above, in excess of the proposed maximum concentration values (0.1% by weight in homogeneous materials for all RoHS substances except Cadmium, 0.01% by weight in homogeneous materials for Cadmium).

Dimension Molding Corp.

Manufactured in Addison, IL, USA

*Dimensions and weights are for reference only.